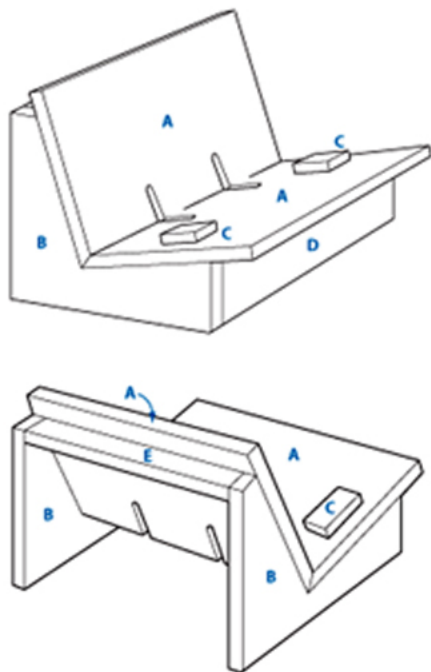
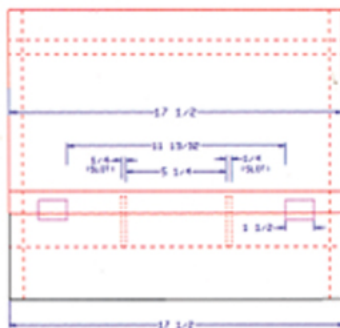
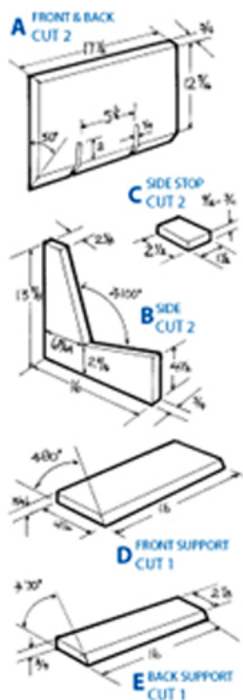


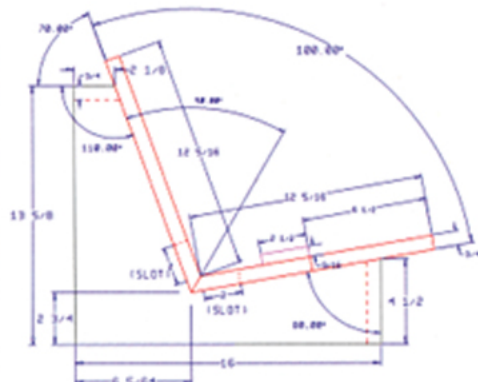
JIG TO AID
SPECIAL SLEEVE INSERTION



WOOD COMPONENTS
(rough specifications)



FRONT CROSS-SECTION



SIDE CROSS-SECTION